

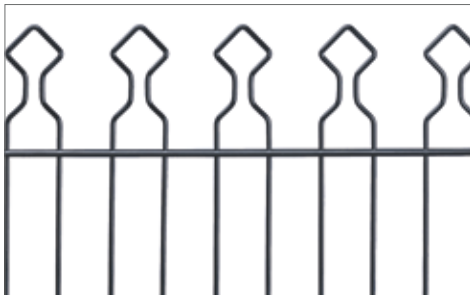


Decofor®

Panels

The Decofor system is a complete decorative fencing system developed for design oriented and rigid fencing solutions.

Product detail



BENEFITS

Decorative

Decofor is a professional fence with a unique contemporary design. The panels are robust and yet extremely elegant and decorative. The panels, posts and gates are perfectly harmonised.

High longevity

Betafence's coating technology is state of the art and guarantees a high longevity. After galvanising an adhesion coating is applied for a perfect bond with the final polyester coating.

Easy installation

The system is easy to install. All elements are precisely integrated. The Decofor system allows installation between and on walls.

Complete system

There are 2 types of Decofor: Arco (convex) and Recto (flat panels). They all exist in different heights, with accompanying posts, swing gates (single or double) and installation accessories. All of one uniform design.

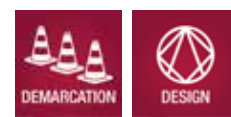
Security level



Applications



Functionalities



Panels

The panels are 2015 mm wide and available in 4 heights. The mesh size is 200 x 65 mm. The wires are very strong: horizontal double wires 8 mm and vertical 6 mm.

Gates

The Decofor fencing system can easily be combined with single and double Decofor gates.

Coating technique

Panels, posts and gates are first galvanised. Afterwards an adhesion coating is applied for perfect bond with the final polyester coating. The minimum coating thickness is 100 micron (panels) and 60 micron (posts and gates).

Colours

Decofor Arco: available in black (RAL 9005).
Decofor Recto and other colours: available on request.

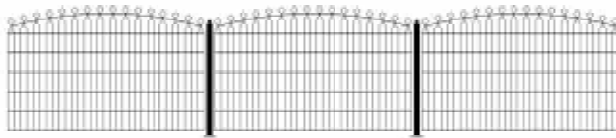


Posts and fixing systems

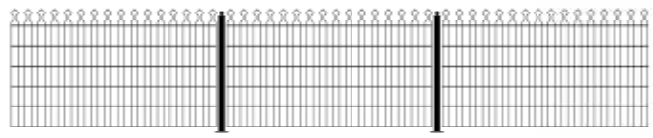


The posts are welded square tubular posts with profile of 60 x 60 x 1,50 mm. For a decorative design the posts are supplied with a metal cap with ball.

Fixation of the panels to the posts by means of metal fixing collars (galvanised and plastic coated) and with security bolts M8 out of stainless steel with self breaking nut.



Decofor Arco



Decofor Recto

ASSORTMENT DECOFOR PANELS AND POSTS WITH CAP WITH BALL

Decofor Arco width x height (middle of the panel) mm	Decofor Recto width x height mm	Post length mm		Number of collets per post
		Posts to be put in concrete	Post welded base plate	
2015 x 886	2015 x 762	1500	965	2
2015 x 1086	2015 x 962	1500	1165	3
2015 x 1286	2015 x 1162	1750	1365	3
2015 x 1486	2015 x 1362	2000	1565	3

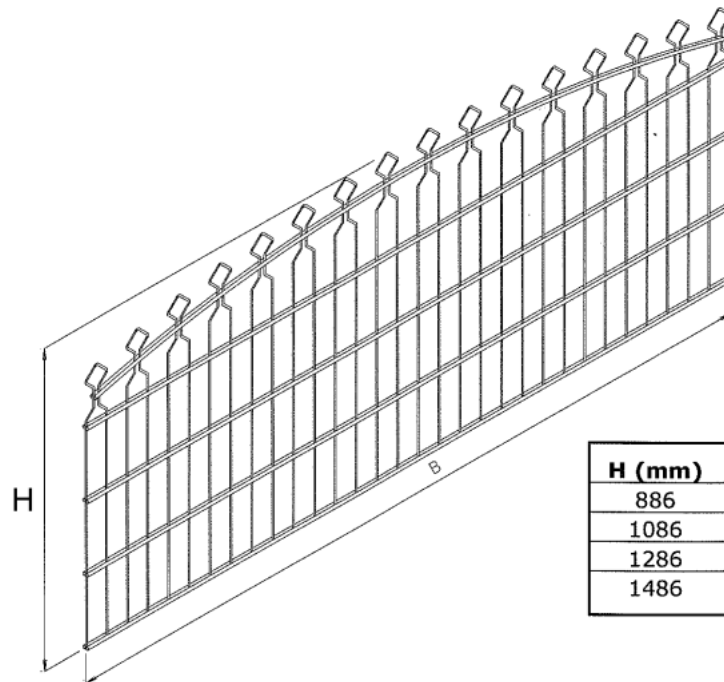




NEW Decofor

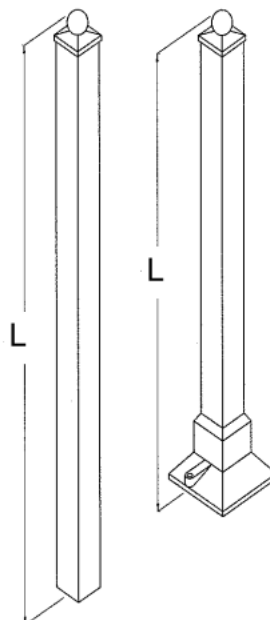
MONTAGEHANDLEIDING
NOTICE DE POSE
ASSEMBLY MANUAL
MONTAGEANLEITUNG
MANUALE DI POSA
INSTRUCCIONES DE MONTAJE

Onderdelen
 Accessoires
 Accessories
 Zubehör
 Accessori
 Accesorios



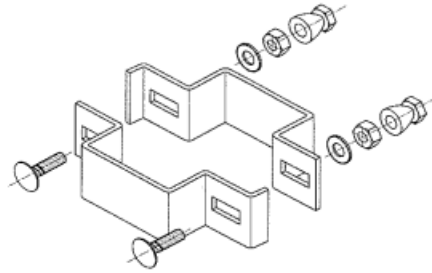
H (mm)
886
1086
1286
1486

H (mm)	L (mm)
886	1500
1086	1500
1286	1750
1486	2000

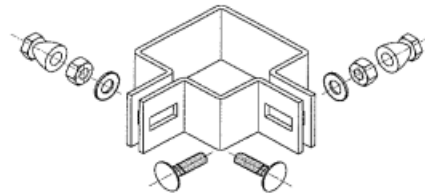


H (mm)	L (mm)
886	920
1086	1120
1286	1320
1486	1520

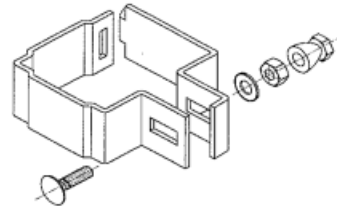
- Tussenpaal beugel
- Collier poteau intermédiaire
- Intermediate post collet
- Zwischen-Pfosten Schelle
- Staffa per palo intermedio
- Arco poste intermedio



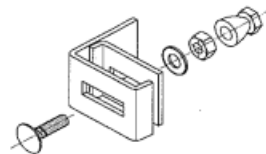
- Hoekpaal beugel
- Collier poteau d'angle
- Corner post collet
- Eck-Pfosten Schelle
- Staffa per palo d'angolo
- Arco poste ángulo



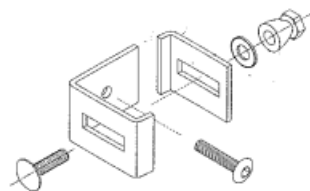
- Eindpaal beugel
- Collier poteau initial
- End post collet
- End-Pfosten Schelle
- Staffa per palo iniziale/finale
- Arco poste de extremo



- Poortpaalklem
- Fixation sur poteau portail
- Gate post fixation
- Tor-Pfostenbefestigung
- Morsetto per palo di cancello
- Fijación sobre postes de puertas



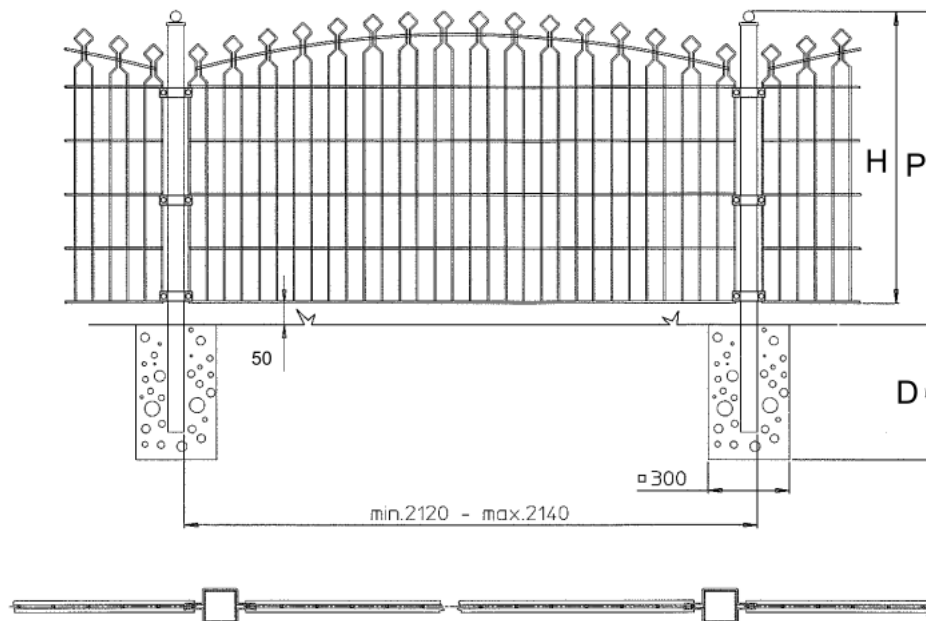
- Muurklem
- Fixation contre mur
- Wall fixation
- Mauerbefestigung
- Morsetto a muro
- Fijación mural



Installatie panelen
Installation des panneaux
Panel fence installation
Matten-Installation
L'impianto di pannelli
Instalación des los paneles

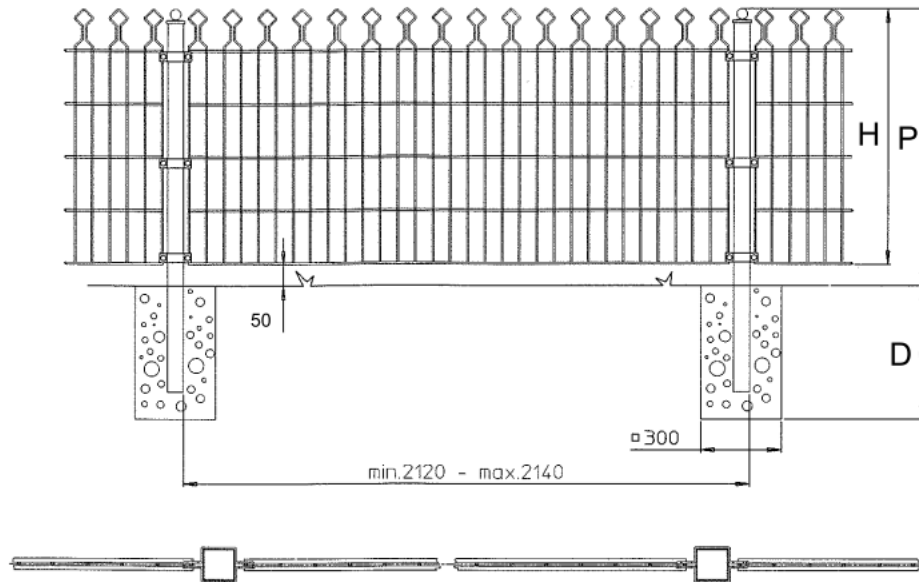
Panelen in lijn
 Installation clôture en ligne droite
 Straight line panel fence
 Gerade Matten-Installation
 Pannelli alla pari per l'impianto direzione in linea retta
 Paneles en linea recta

Decofor Arco



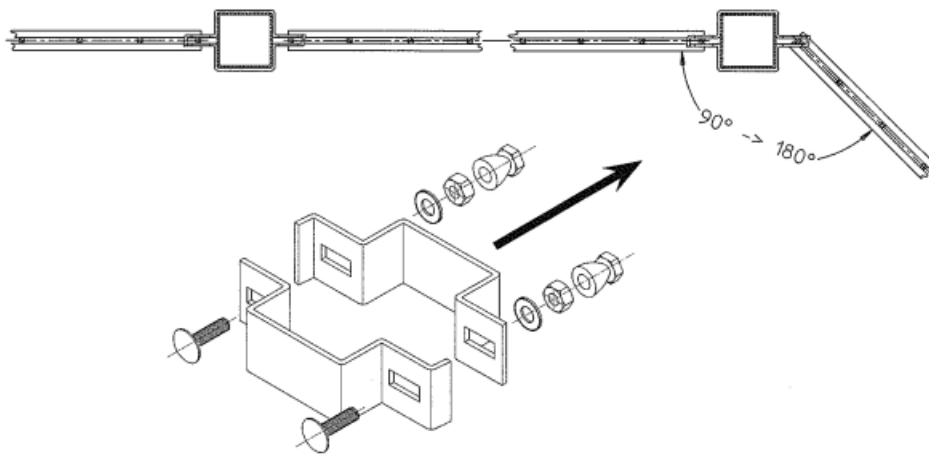
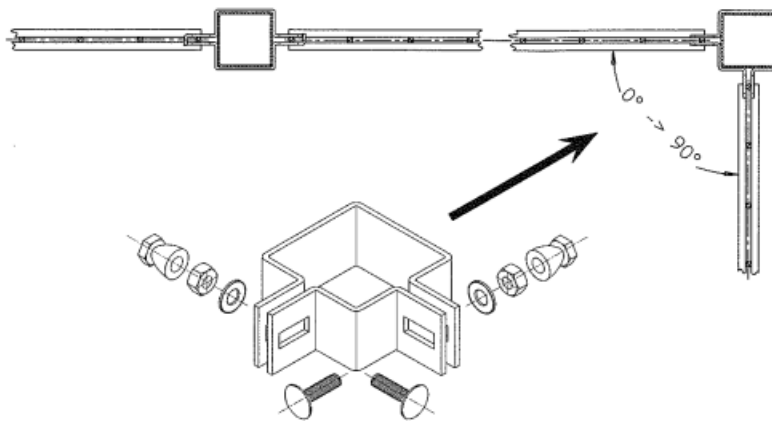
H (mm)	P (mm)	D (mm)
886	966	600
1086	1166	500
1286	1366	500
1486	1566	500

Decofor Recto

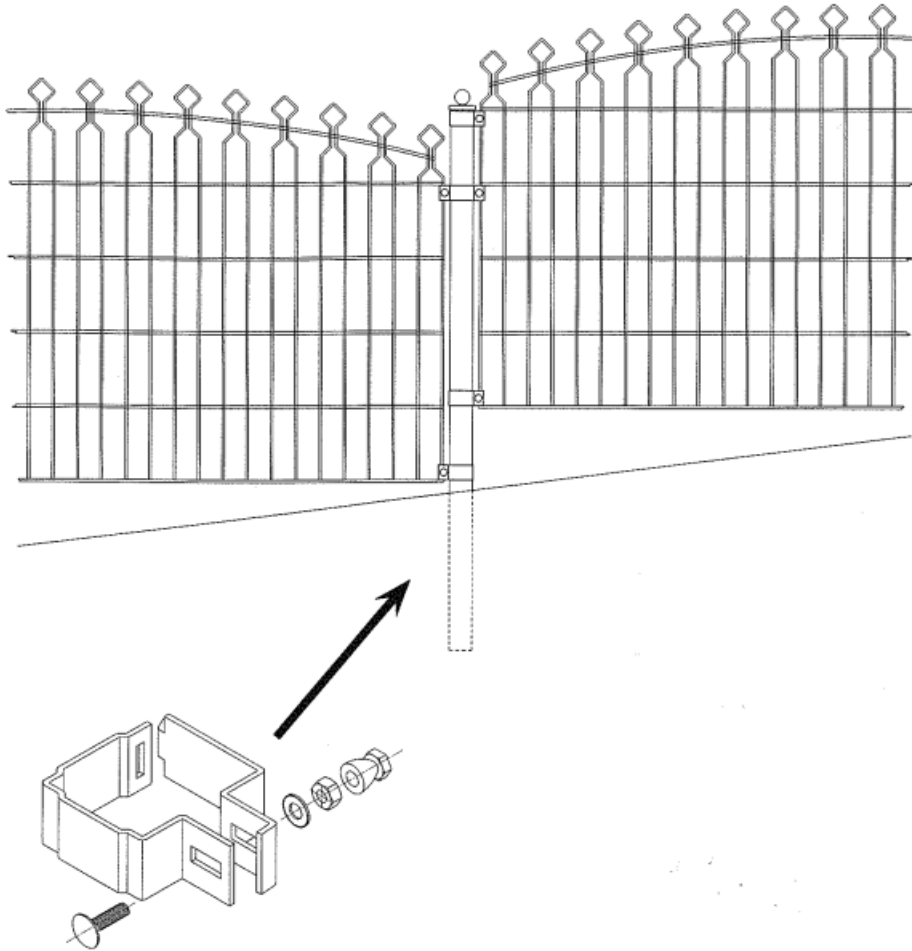


H (mm)	P (mm)	D (mm)
842	762	600
1042	962	600
1242	1162	600
1442	1362	600

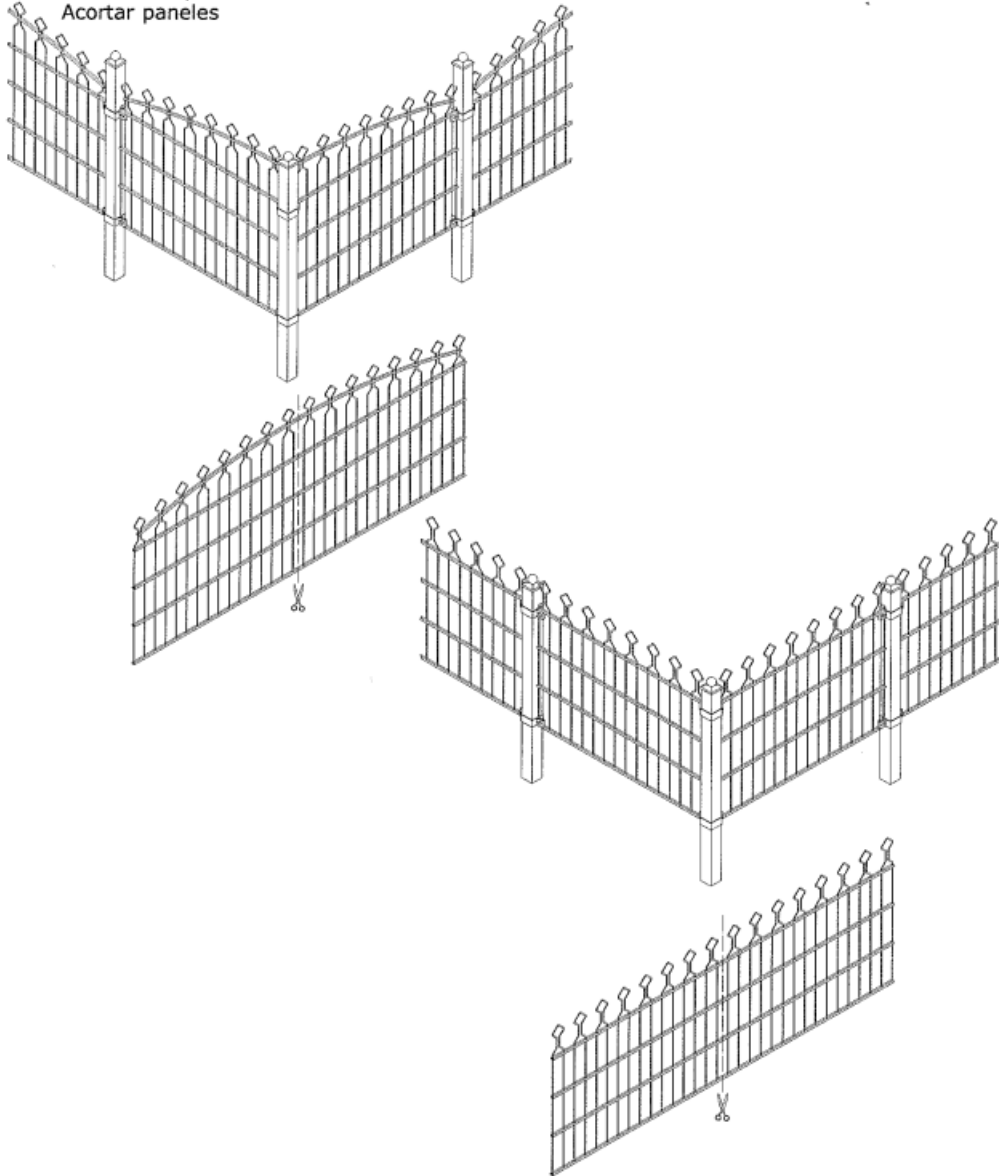
Panelen in hoek
Clôture panneaux sous angle
Panel fence under angle
Matteninstallation Ecklösung
Pannelli sotto angolo
Paneles en ángulo



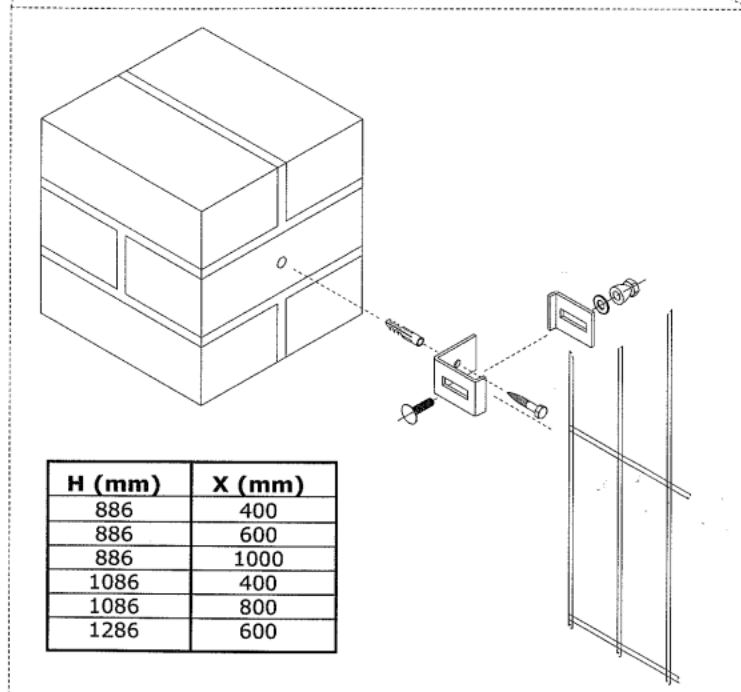
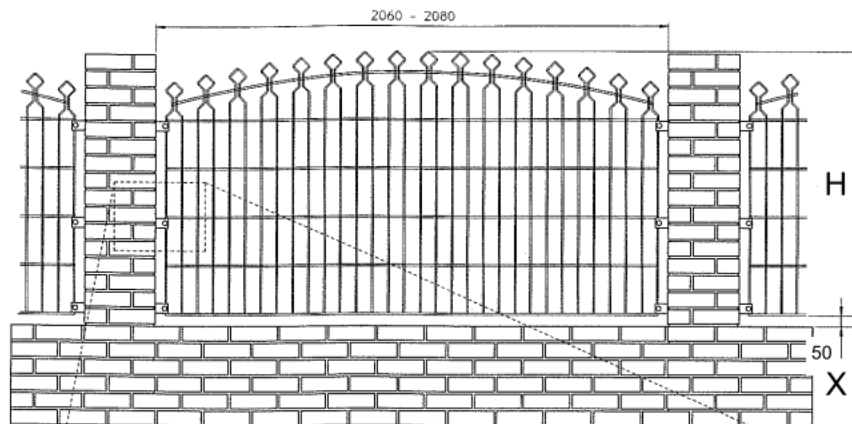
Panelen met hoogteverschillen
Panneaux sur terrain en pente
Panels on slopes
Matten mit Höhenausgleich
Pannelli su terreno a pendio
Paneles para terreno inclinado



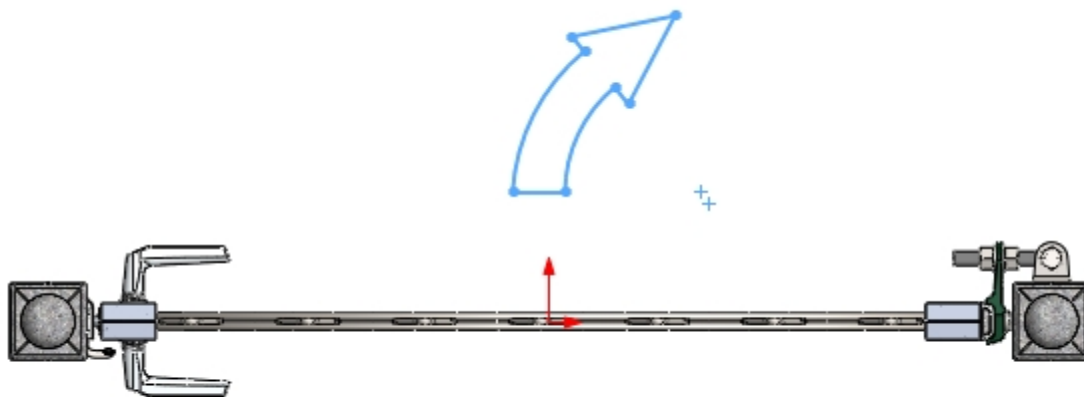
Inkorten panelen
Raccourcir panneaux
Shorten panels
Matten zuschneiden
Raccorciare pannelli
Acortar paneles



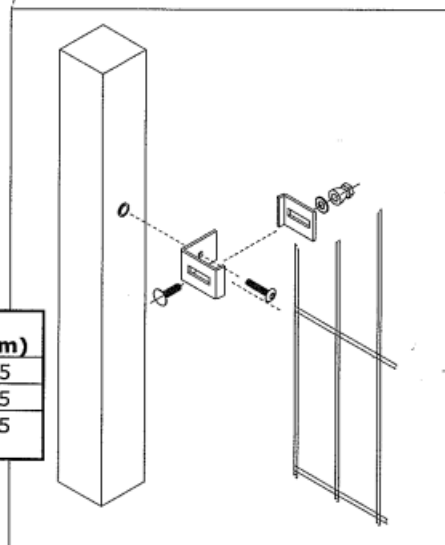
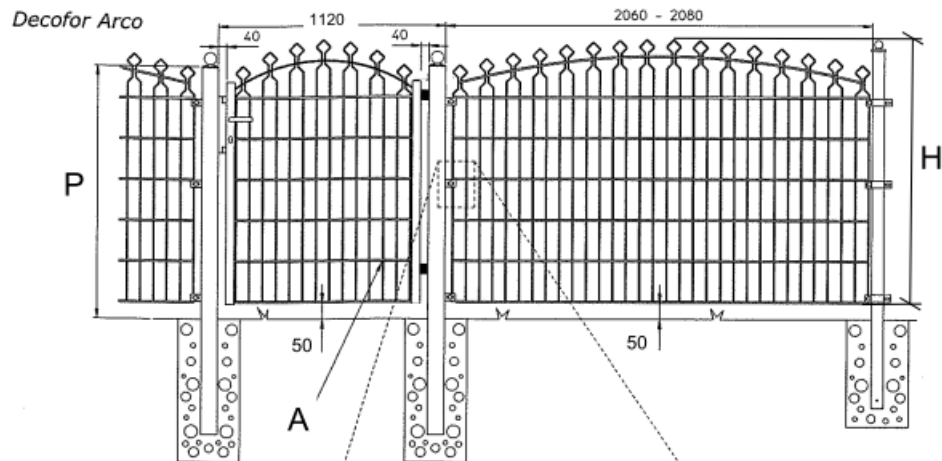
Panelen tussen muurkolommen
 Panneaux entre pilastres
 Panels between pilasters
 Matte zwischen Mauerpfeilern
 Pannelli fra pilastri
 Paneles entre pilastras



H (mm)	L (mm)
1086	1500
1286	1800
1486	2000
1886	2500

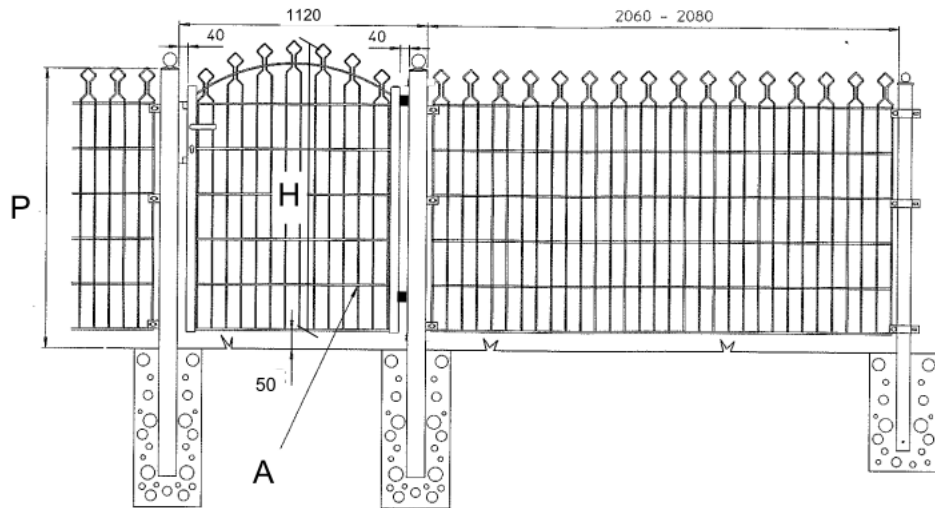


Enkele poort + panelen + palen in beton
 Portillon + panneaux + poteaux à sceller
 Single gates + panels + posts in concrete
 Einflügeliges Tor + Matten + Pfosten zum Einbetonieren
 Cannello ad uno battente + pannelli + pali in calcestruzzo
 Puertas simples + paneles + postes en el hormigón

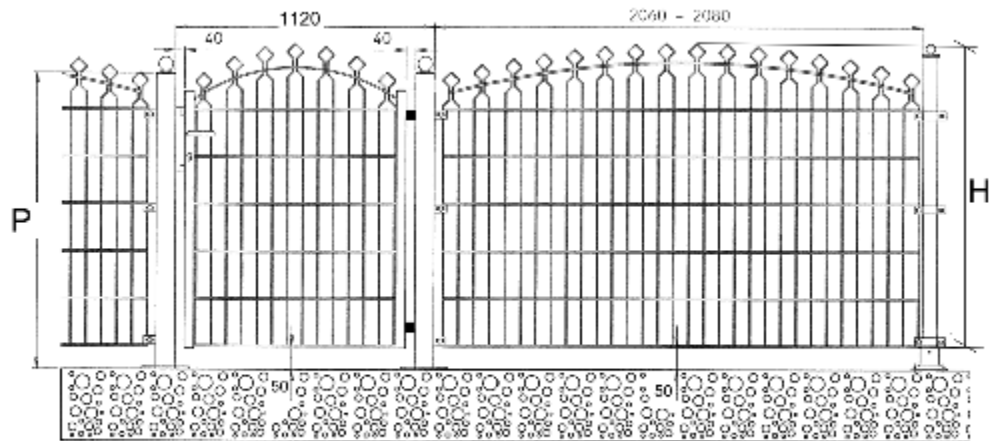


H (mm)	A (mm)	P (mm)
1086	1086	1035
1286	1286	1235
1486	1486	1435

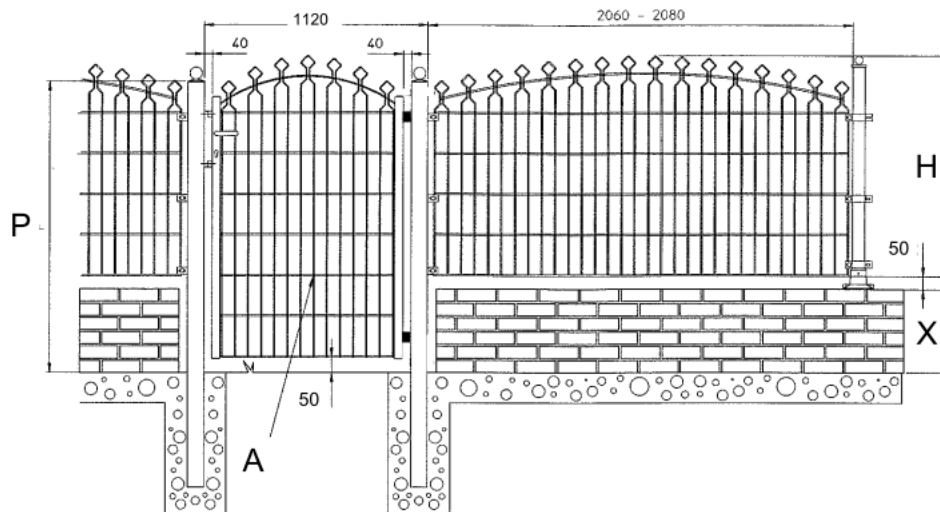
Decofor Recto



Enkele poort + panelen + païen met alu-voet
Portillon + panneaux + poteaux avec platine alu
Single gates + panels + posts with alu-floorplate
Einflügeliges Tor + Matten + Pfosten mit Alu-Bodenplatte
Cancello ad uno battente + pannelli + pali con piastra di base in alluminio
Puertas simples + paneles + postes con place en aluminio

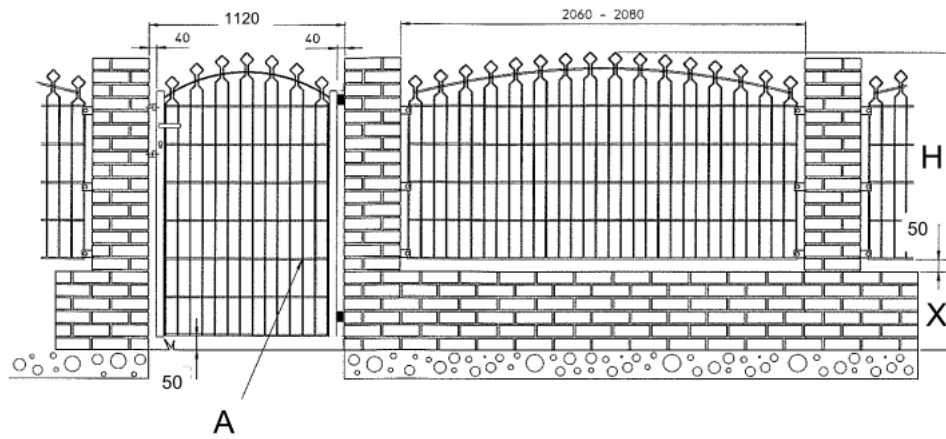


Enkele poort + panelen op muur + païen met alu-voet
 Portillon + panneaux sur mur + poteaux avec platine alu
 Single gates + panels on wall + posts with alu-floorplate
 Einflügeliges Tor + Matten auf Mauer + Pfosten mit Alu-Bodenplatte
 Cannello ad uno battente + pannelli su muro + pali con piastra di base in alluminio
 Puertas simples + paneles sobre muro + postes con place en aluminio



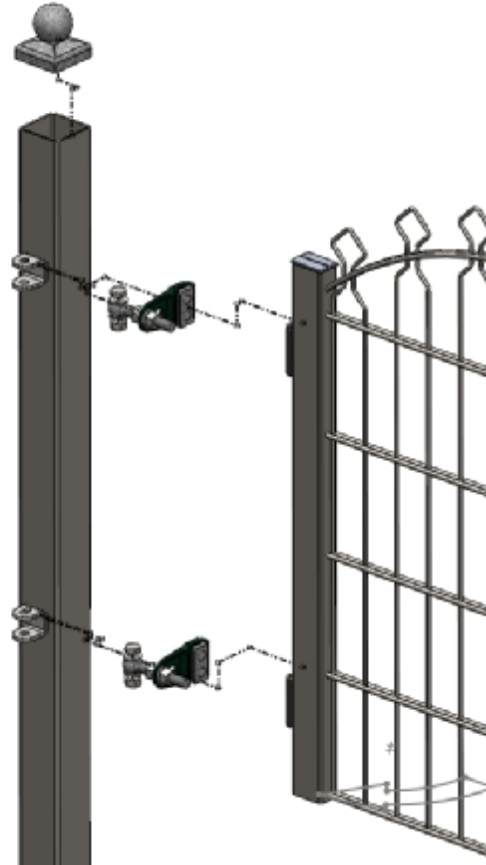
H (mm)	X (mm)	A (mm)	P (mm)
886	400	1286	1235
886	600	1486	1435
886	1000	1886	1835
1086	400	1486	1435
1086	800	1886	1835
1286	600	1886	1835
1486	400	1886	1835

Enkele poort + panelen tussen muurkolommen Portillon + panneaux entre pilastres
 Single gates + panels between pilasters Einflügeliges Tor + Matten zwischen Wandpfeilern
 Cannello ad uno battente + pannelli fra colonne
 Puertas simples + paneles entres pilastras

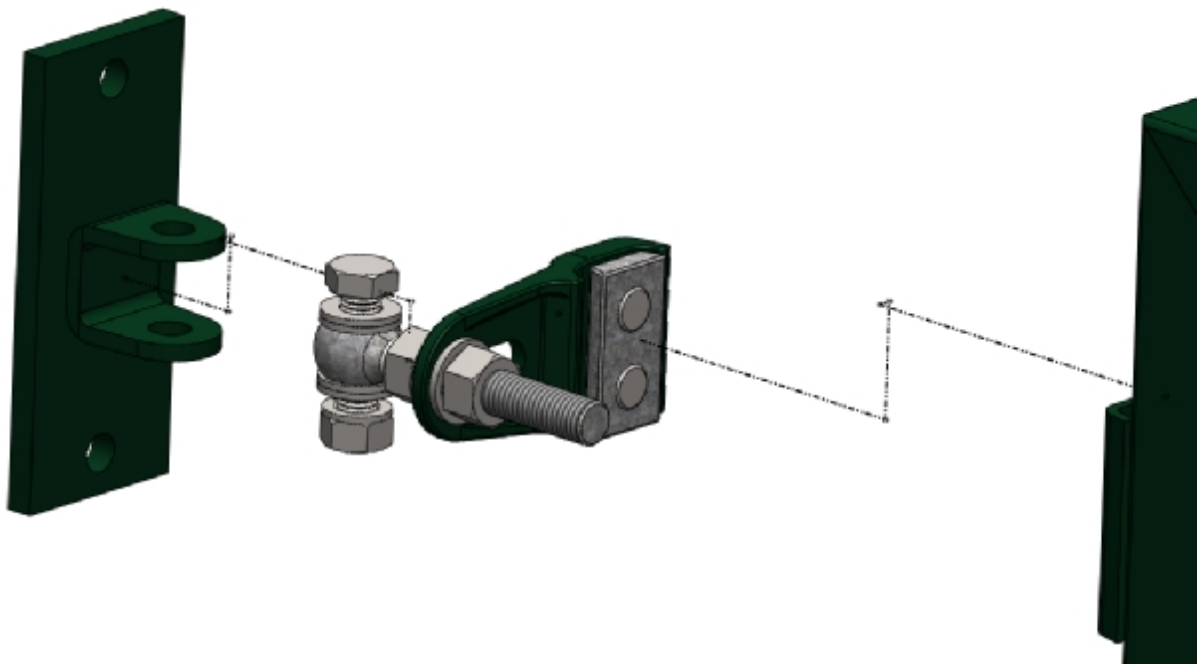


H (mm)	X (mm)	A (mm)
886	400	1286
886	600	1486
886	1000	1886
1086	400	1486
1086	800	1886
1286	600	1886
1486	400	1886

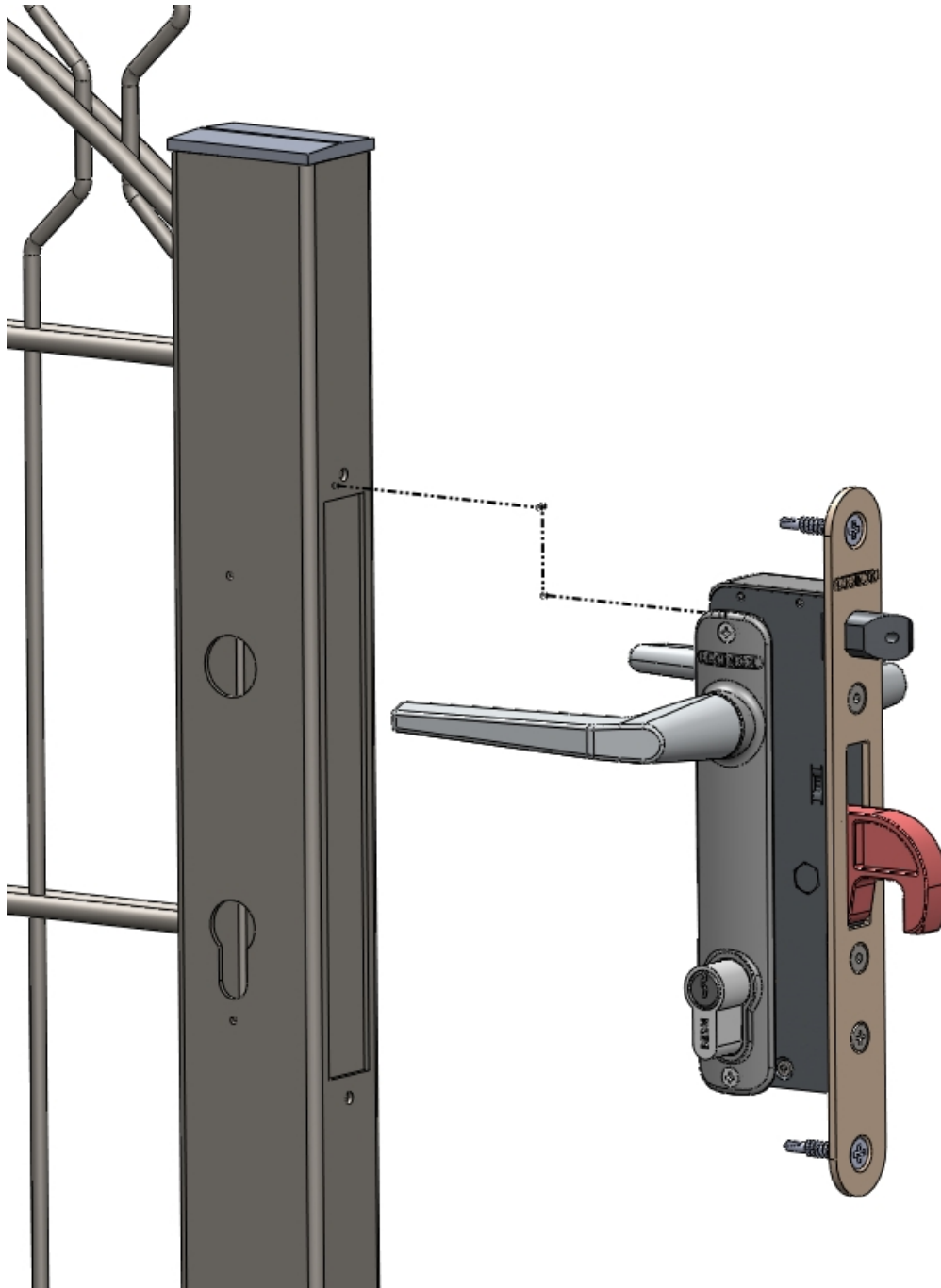
Montage Scharnieren enkele poort
Montage charnières pour portillon
Hinge assembly single gate
Montage der Scharniere für ein einflügeliges Tor
Montaggio cerniere al cancello ad uno battente
Montaje bisagras puerta simple



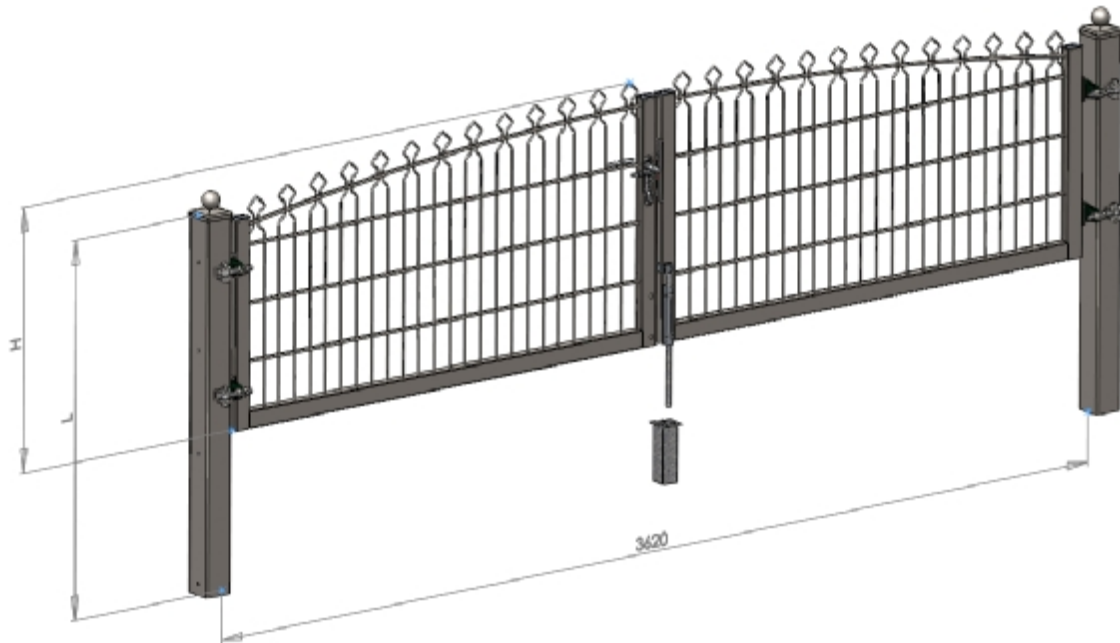
Montage muurscharnier enkele poort
Montage charnière pour portillon pour mur
Wall hinge assembly single gate
Montage der Scharniere für Mauerbefestigung
Montaggio cerniera murale al cancello ad uno battente
Montaje bisagra mural puerta simple



Montage siet enkele poort
Montage serrure pour portillon
Lock assembly single gate
Montage des Schlosses für ein einflügeliges Tor
Montaggio serratura al cancello ad uno battente
Montaje cerradura puerta simple



Dubbele draaipoorten
Portails doubles
Double swing gates
Zweiflügeliges Tor
Cancelli ad ante doppie
Puertas dobles giratorias

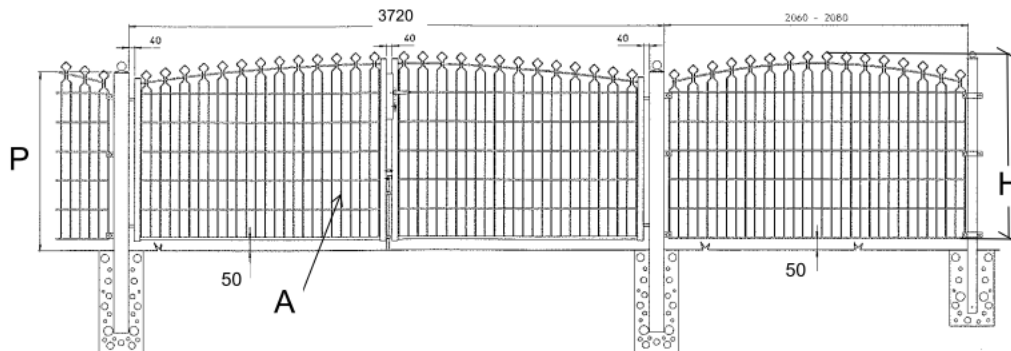


H (mm)	L (mm)
1086	1800
1286	2000
1486	2250
1886	2750

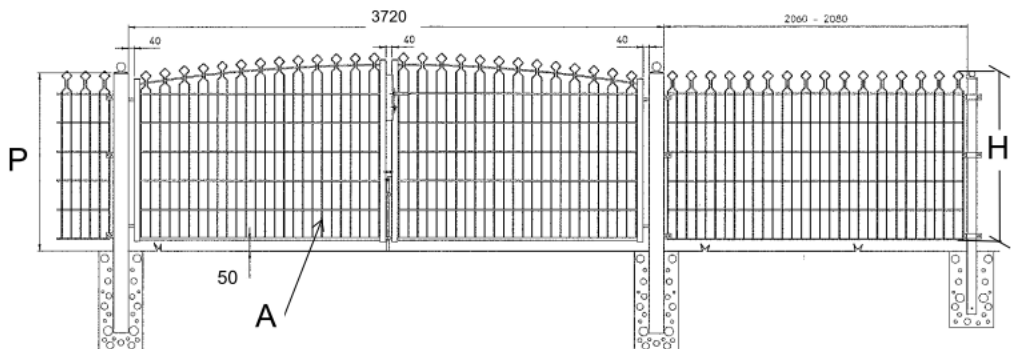


Dubbele poort + panelen + palen in beton
 Portail double + panneaux + poteaux à sceller
 Double gates + panels + posts in concrete
 Zweiflügeliges Tor + Matten + Pfosten zum Einbetonieren
 Cannello ad ante doppie + pannelli + pali in calcestruzzo
 Puertas dobles + paneles + postes en el hormigón

Decofor Arco

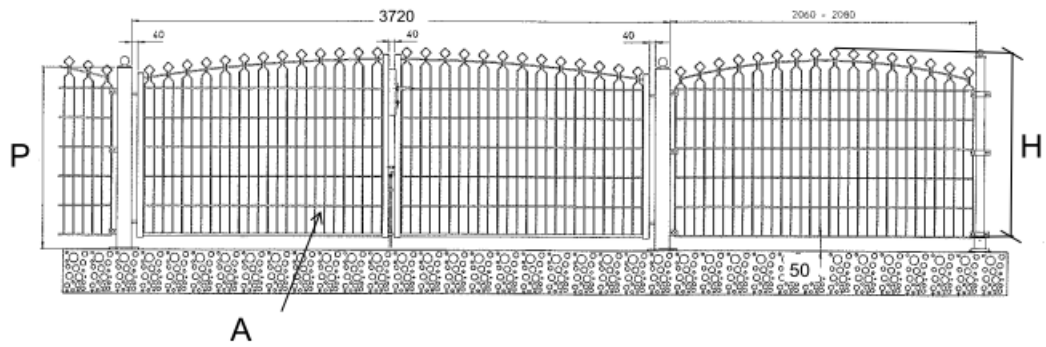


Decofor Recto

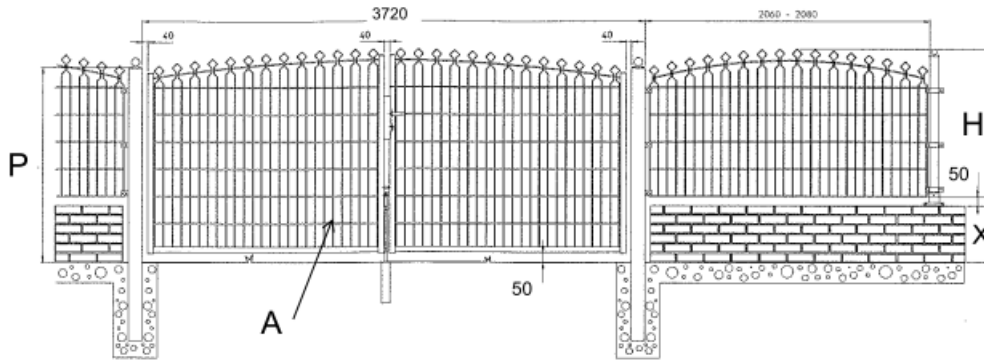


H (mm)	A (mm)	P (mm)
1086	1086	1043
1286	1286	1243
1486	1486	1443

Dubbele poort + panelen + palen met alu-voet
Portail double + panneaux + poteaux avec platine alu
Double gates + panels + posts with alu-floorplate
Zweiflügeliges Tor + Matten + Pfosten mit Alu-Bodenplatte
Cancello ad ante doppie + pannelli + pali con piastra di base in alluminio
Puertas dobles + paneles + postes con place en aluminio

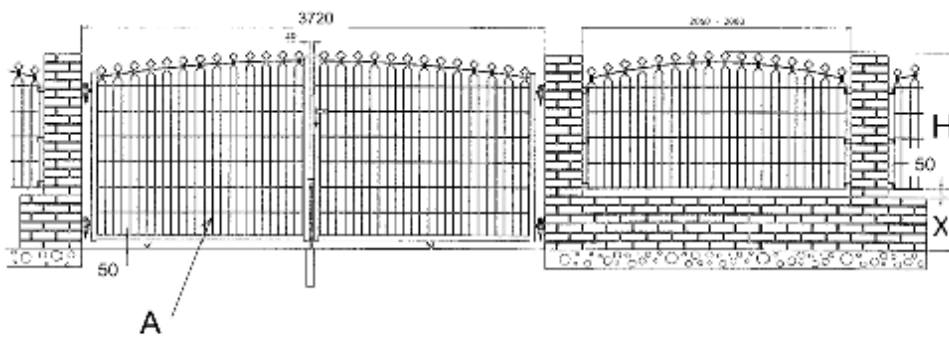


Dubbele poort + panelen op muur + palen met alu-voet
 Portail double + panneaux sur mur + poteaux avec platine alu
 Double gates + panels on wall + posts with alu-floorplate
 Zweiflügeliges Tor + Matten auf Mauer + Pfosten mit Alu-Bodenplatte
 Cannello ad ante doppie + pannelli su muro + pali con piastra di base in alluminio
 Puertas dobles + paneles sobre muro + postes con place en aluminio



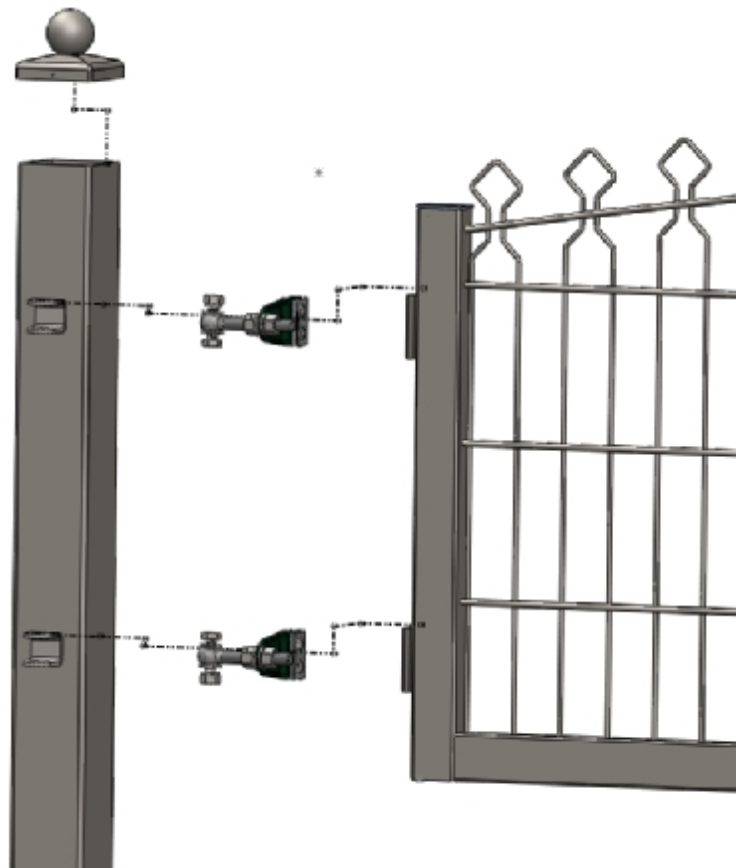
H (mm)	X (mm)	A (mm)	P (mm)
886	400	1286	1243
886	600	1486	1443
886	1000	1886	1843
1086	400	1486	1443
1086	800	1886	1843
1286	600	1886	1843
1486	400	1886	1843

Dubbele poort + panelen tussen muurkolommen
 Portail double + panneaux entre pilastres
 Double gates + panels between pilasters
 Zweiflügeliges Tor + Matten zwischen Wandpfeilern
 Cancellò ad ante doppie + pannelli fra colonne
 Puertas dobles + paneles entre pilastras

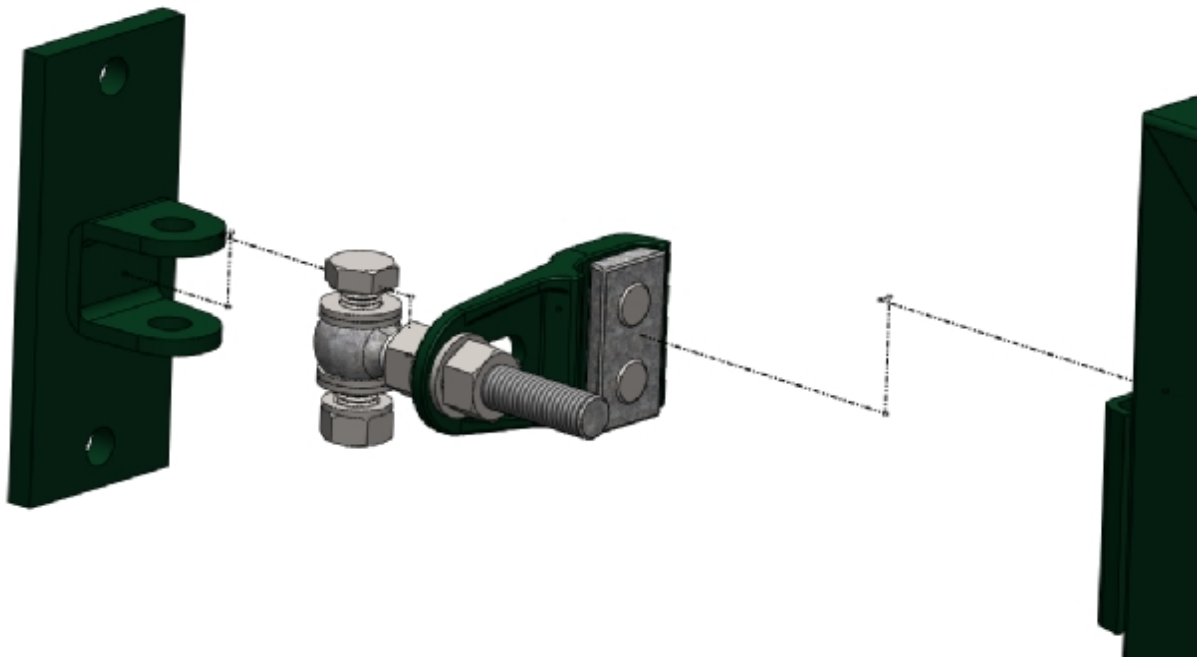


H (mm)	X (mm)	A (mm)
886	400	1286
886	600	1486
886	1000	1886
1086	400	1486
1086	800	1886
1286	600	1886
1486	400	1886

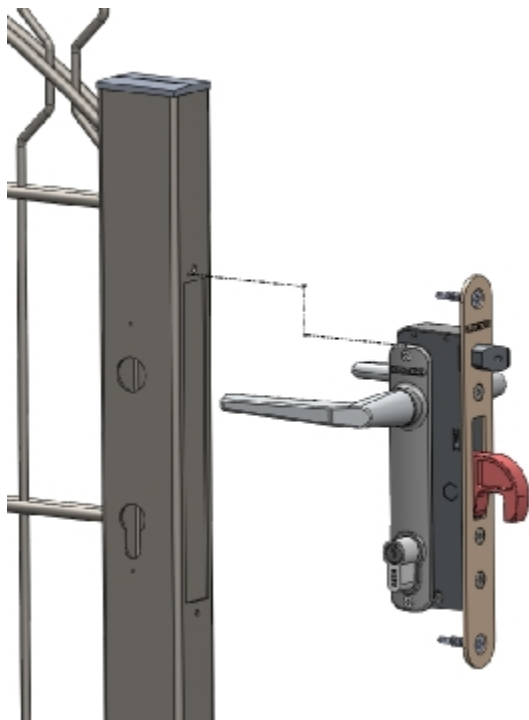
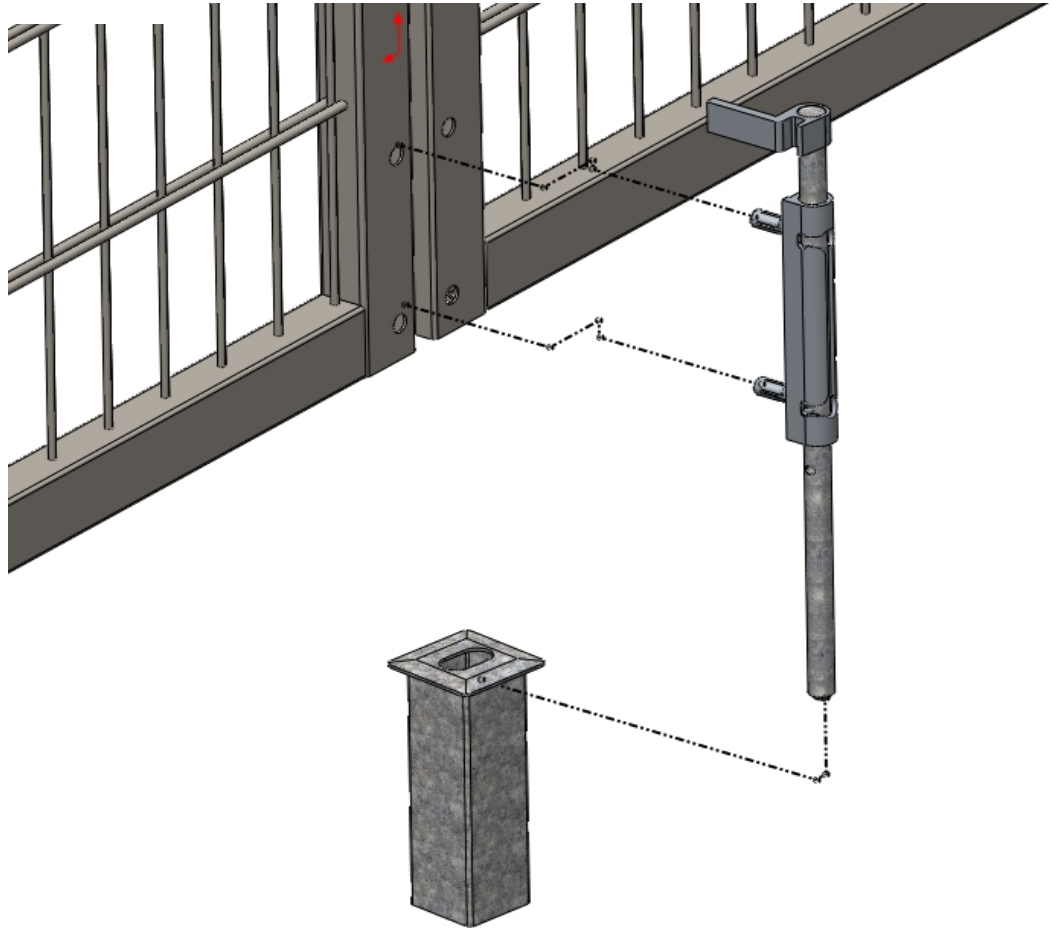
Montage Scharnieren dubbele poort
Montage charnières pour portail double
Hinge assembly double gate
Montage der Scharniere für ein zweiflügeliges Tor
Montaggio cerniere al cancello ad ante doppie
Montaje bisagras puerta doble



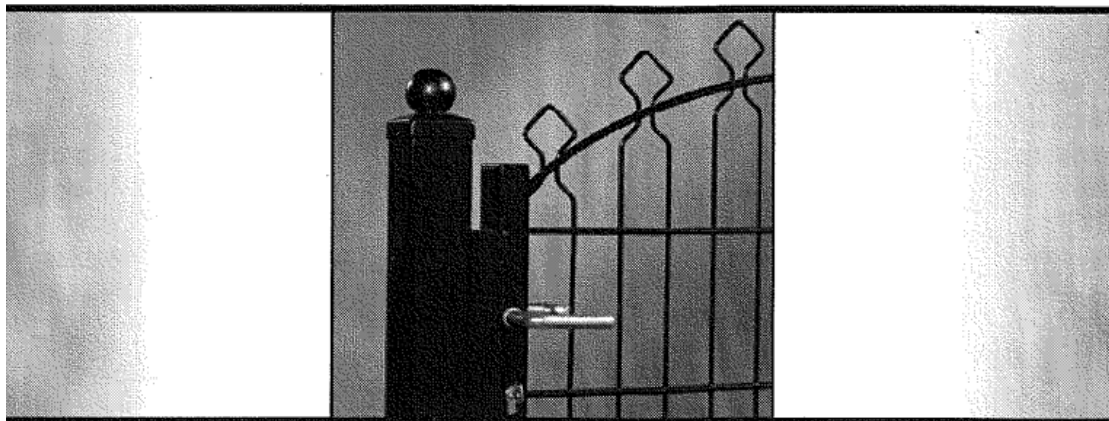
Montage muurscharnier dubbele poort
Montage charnière pour portail double pour mur
Wall hinge assembly double gate
Montage der Scharniere für Mauerbefestigung
Montaggio cerniera murale al cancello ad ante doppie
Montaje bisagra mural puerta doble



Montage slot dubbele poort
Montage serrure pour portail double
Lock assembly double gate
Montage des Schlosses für ein zweiflügeliges Tor
Montaggio serratura al cancello ad ante doppie
Montaje cerradura puerta doble



NOTE:



Filial manufacturer
Betafence España, S.L
Sociedad Unipersonal
C/ López Bravo, 94
Apartado de correos 347
E-09001 Burgos
Tel.: +34 947 298 073
Fax: +34 947 298 670
info.spain@betafence.com

Betafence France SA
2, rue Alexis de Tocqueville
Parc de Haute technologie
F-92183 Antony Cedex
Tel.: +33 (0)1 40 96 26 22
Fax: +33 (0)1 40 96 26 06
info.france@betafence.com

Betafence NV
Sales Benelux
Deerlijkstraat 58A
B-8550 Zwevegem
Tel.: +32 56 73 46 46
Fax: +32 56 73 45 45
Tel.: NL. 0800 022 76 98
Fax: NL. 0800 022 77 45
info.benelux@betafence.com

Betafence Italia Spa
C. da Salinello, 59
I-64018 Tortoreto (TE)
Tel.: +39 0861 7801
Fax: +39 0861 780650
info.italy@betafence.com

Betafence Portugal Lda
Av. Almirante Gago Coutinho
Nº 56 - 2º Esq. Frente
P-1700-031 Lisboa
Tel.: +351 21 847 0040
Fax: +351 21 847 0045
info.portugal@betafence.com

Werler Drahtwerke GmbH
Betafence
Runtestrasse 5-9 & 24
D-59457 Werl
Tel.: +49 2922 9890
Fax: +49 2922 989 153
info.germany@betafence.com

Betafence Ltd
PO Box 119, Shepcote Lane
UK-Sheffield S9 1TY
Tel.: +44(0) 870 1270 027
Fax: +44(0) 870 1270 028
info.uk@betafence.com

Betafence Sweden
Gräsvägen 8B
S-448 36 Floda
Tel.: +46 (0) 302 356 25
Mobile: +46 (0) 708 26 17 71
Fax: +46 (0) 302 356 25
Email: info.nordic@betafence.com